



Archived resources

For further resources and
documentation please visit us:
www.cinos.net

cyviz / F103

A compact and high-performing collaboration solution.

With all the power and flexibility of our larger systems, the Cyviz F103 is an exceptional and affordable way for companies to upgrade their visualization and collaboration capabilities.



Performance highlights

- Native resolution of 2560x1080 pixels
- Recommended image size is 9' 2" x 3' 10"
- 1 PC presented in native resolution of the screen
- Configurable number of connected and simultaneous PiP (Picture-in-Picture) sources on screen
- Seamless integration of Cisco TelePresence
- Up to 4-way telepresence in 1080p
- Display Sharing™ up to full screen (2560x1080)
- Uniquely flexible and intuitive Cyviz Display Controller

Components

Cyviz Displaywall	The market leader for high performance collaboration and visualization displays. Built on single-chip DLP technology and equipped with dual lamps for high brightness and 24/7 operation.
Cyviz Mechanical Rig	A rigid aluminum rig with a Projector Alignment Unit that enables a perfect image and ensures a high degree of stability over time. It features optional installation modules to conceal projectors while reducing heat and noise. The rig can also be mounted with anti-vibration brackets.
Screen	A front-projected flexible screen chosen for high quality image reproduction. The screen has a 160 degree view angle, and the size can be changed +/- 20% at no extra cost.
Cyviz Video Processor	The xpo.4 video processor has a modular design with support for up to 8 DVI-DL/16 DVI-SL video inputs and 8 DVI-DL/16 DVI-SL outputs. With more than 5 gigapixels/second of video-processing bandwidth and a 12 bit color-capable processing core, the xpo.4 presents the workstation in full resolution of the screen and facilitates responsive, movable and scalable PiPs.
Cyviz Display Controller	Cyviz offers a standardized and configurable control system that combines ease of use with rich functionality. The platform is scalable, offers upgradability and is easy to deploy, operate and support. The Display Controller can be used from responsive 10" or 15" multi-touch panels, or from devices like laptops and tablets.
Telepresence Integration	The system offers tight integration with the Cisco C60 and C90 TelePresence end-points. Support for industry standards enables true collaboration with other companies and organizations. The Cyviz Display Controller makes telepresence effortless and seamless.
Miscellaneous	The system is delivered with an AV LAN, a stereo amplifier, 2 speakers, and internal cabling in the rack. Custom integration of sources, cable cubbies and other external components will be handled by the Cyviz Certified System Integrator.

Performance table

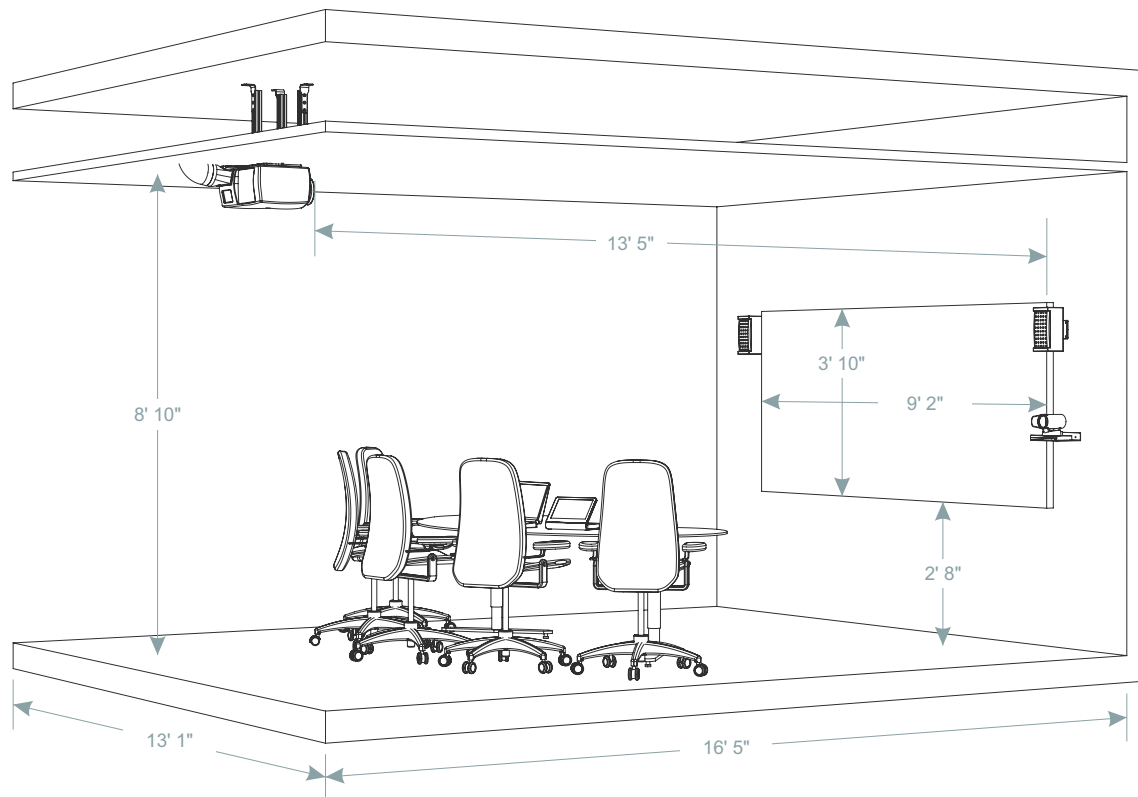
The Cyviz F103 is delivered with different modules to capture customers' requirements with regards to the number of PiPs connected and displayed, as well as video and data-sharing capabilities.

Collaboration module	Simultaneous PiPs on screen	PiP connection points	Display Sharing™	Displaywall heat dissipation	Equipment heat dissipation
Cisco C60	2	2*	Single 1080p*	3109 BTU/h	2686 BTU/h
Cisco C90	4	3*	Dual 1080p*	3109 BTU/h	2686 BTU/h
Cisco C60/C90 & video matrix	Configurable**	Configurable**	Dual 1080p	3109 BTU/h	3086 BTU/h
Video matrix	Configurable**	Configurable**	N/A	3109 BTU/h	2489 BTU/h

* One PiP connection and Display Sharing™ feed share the same input.

** The system can be configured to facilitate any meaningful number of connected and simultaneous PiP sources.

System illustration



Dimensions indicate a typical installation and may be changed to match customer requirements.

Deployment

Cyviz systems are highly standardized to ensure timely deployment, within budget along with predictable performance.

The Cyviz design team will work with both the partner and the customer prior to the installation to ensure ergonomic principles while optimizing the physical design. A site survey during the design phase will guarantee that critical requirements are captured correctly.

Delivery time is normally 4-6 weeks while the installation of the Cyviz system is estimated to take 2-4 days.

The prerequisite is that the site is fully prepared in terms of power, HVAC, carpentry, cabling, ceiling, video sources, etc. Our installation team will complete the implementation with a formalized hand over process which includes a system acceptance test and training.

For further resources and
documentation please visit us:
www.cinos.net