



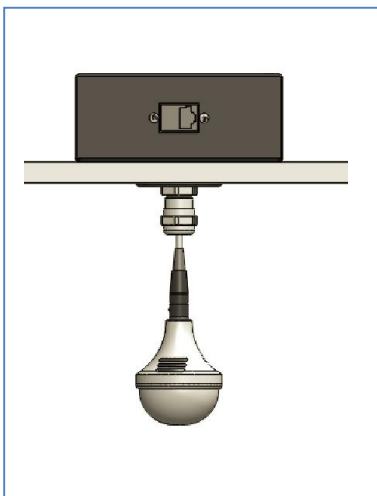
# Archived resources

For further resources and  
documentation please visit us:  
**[www.cinos.net](http://www.cinos.net)**



## C 303W-RF Specifications

**Tri element array hanging microphone** designed for unobtrusive all round high quality pickup necessary in places such as boardrooms, conferencing, court rooms and other venues.

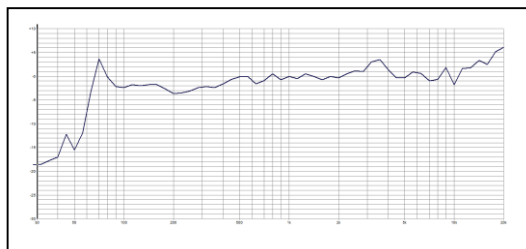


- Contains 3 high sensitivity cardioid capsules.
- Designed to capture 360 degree pickup.
- Engineered in high quality brass.
- Plenum rated ceiling tile metal enclosure.
- Supplied with 2.5 Metre cable terminating in a Tini Q connector.
- Finished in gloss white finish.
- RJ45 out allows fast connection to DSP or mixer.
- Supplied with RJ45 to phoenix link cable.

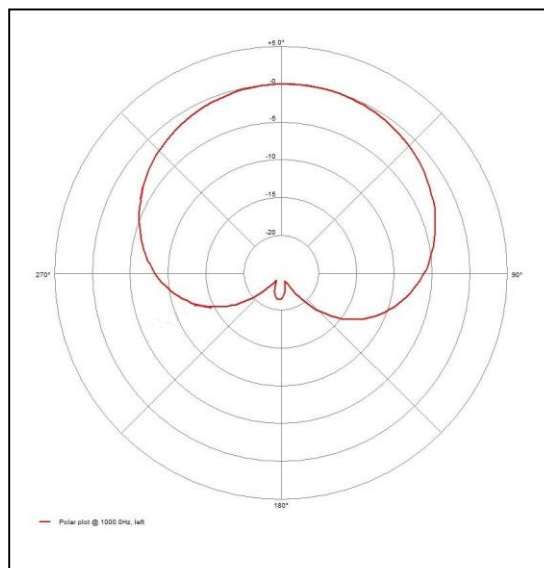
### SPECIFICATIONS

Type	Condenser (Electret)
Polar Pattern	360 degree
Frequency response	50Hz - 20KHz +/-3dB
Sensitivity	-40dB +/- 3dB @ 1KHz 0dB (1v/Pa)
S/N	6.4dBA
Impedance	200 Ohms
Phantom Power Requirements	Inbuilt Phantom power modules 48V
Max sound pressure level	125dB @ 1%THD
Finish	Gloss white

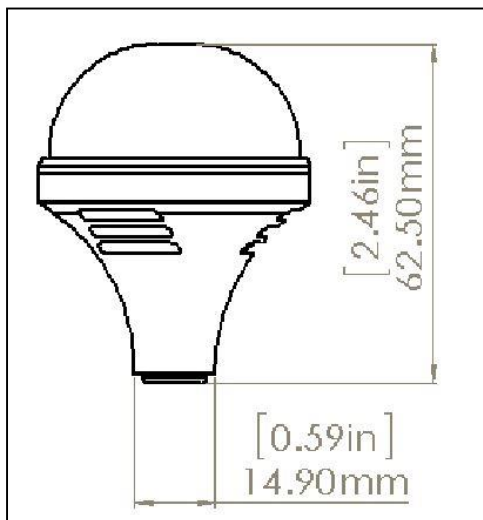
### Frequency Response



### Single capsule Polar Response



### Dimensions



For further resources and  
documentation please visit us:  
**[www.cinos.net](http://www.cinos.net)**