



# Archived resources

For further resources and  
documentation please visit us:  
**[www.cinos.net](http://www.cinos.net)**



# EYE-LCD-9000-LD

90" LCD MONITOR WITH  
DIRECT-LED BACKLIGHT



## ) DISPLAY PROPERTIES

- **Professional 90-inch (ca. 228 cm) LCD monitor** with Direct-LED backlight for landscape or portrait installations
- **Uniform display brightness thanks to Direct-LED backlight technology** with local dimming function
- **Full HD resolution** 1920 × 1080 Pixel
- **Low installation depth, slim and sleek housing design**
- **Ideal for sophisticated applications** in presentation, conferencing, POS/POI, etc.
- **Robust metal housing** (standard black RAL9005, different RAL colours available on request)

## ) PICTURES



Robust & slim design



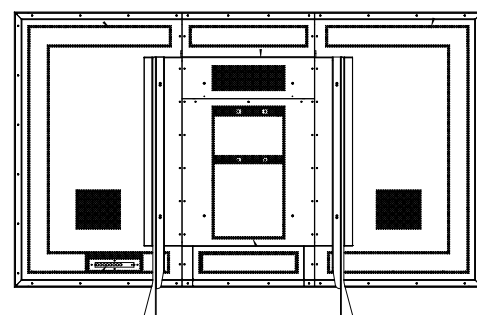
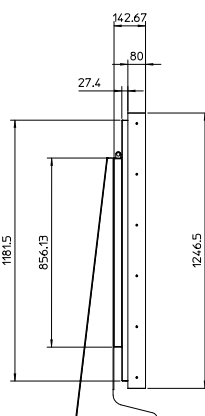
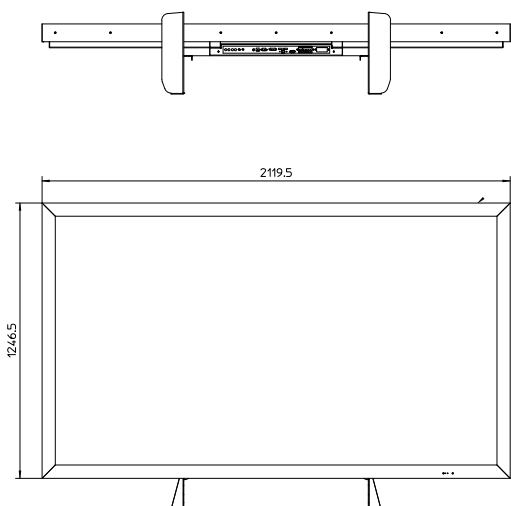
Optional with touch surface



Customised housing colours possible

## ) DRAWING

Unit: mm





## EYE-LCD-9000-LD

90" LCD MONITOR WITH DIRECT-LED BACKLIGHT

### ) TECHNICAL SPECIFICATION

#### LCD PANEL

Active Screen:	1992.9 (H) × 1121.0 (V)
Backlight Technology:	Direct-LED with local dimming function
Max. Resolution:	1920 × 1080 (full HD)
Colours:	16.7 M, 10bit signal processing
Viewing Angle:	176° / 176° (H/V)
Response Time:	6 ms
Contrast Ratio:	4000:1 (local dimming off)
Brightness:	typ. 700 cd/m <sup>2</sup>
Pixel Pitch:	1.038 (H) × 1.038 (V) mm
24/7 Operation <sup>®</sup> :	Yes
Surface Treatment:	Anti Glare Coating min 2H

#### CONNECTORS & CONTROL

Signal Inputs:	1x DVI / 2x HDMI / 1x VGA / 1x S-Video / 1x C-Video
Audio:	2x Cinch / 2x MiniJack 3.5mm
Control:	RS232 (9-pin D-Sub), IR remote control, rear-side control panel

#### POWER SUPPLY

Input Voltage:	90-264V 50/60Hz; internal power supply
Power Consumption:	TBD

#### ENVIRONMENTAL

Operating Temperature:	0 – 40 °C
Humidity:	max. 95%RH

#### MECHANICAL

Dimensions (W×H×D):	2119.5 × 1246.5 × 143.4 mm
Bezel Width:	ca. 63 mm
Weight:	99.8 kg
VESA:	800x600 mm, 400x600 mm (W×H)

#### OPTIONS

Touch:	Optical touch surface with up to 32 simultaneous touch points
Installation:	Different wallmounts and stands available
Housing Colour:	Customised finishings available on request (standard colour black RAL9005)

#### ORDER INFORMATION

Item Number:	19344
--------------	-------

<sup>®</sup>Electronic components designed for 24/7 operation. Prolonged display of static image contents may affect the display quality of the device. These effects do not affect the functionality of the device and are therefore not considered as defects in terms of our warranty conditions (recommended operating time: ≤ 20/7)



eyevis GmbH

Hundsschleestr. 23 • 72766 Reutlingen • Germany  
 Phone: + 49 (0) 7121 43303 - 0 • Fax: + 49 (0) 7121 43303 - 22  
 www.eyevis.de • info@eyevis.de

As at: 29.07.2013/V1.0 • Subject to change!

All trademarks and registered trademarks are the property of their respective owners. Copyright © 2013 eyevis GmbH. All rights reserved.

For further resources and  
documentation please visit us:  
**[www.cinos.net](http://www.cinos.net)**