



Archived resources

For further resources and
documentation please visit us:
www.cinos.net



) EYE-LCD-5500

eyevis LCD Series

) PRODUCT DESCRIPTION

eyevis' new 55" Full-HD LCD Monitor - the entry-level version to professional LCD monitor solutions

The new EYE-LCD-5500 display represents the cutting-edge of direct-view LCD technology. It combines ultra-high resolution and unparaleled image quality with configurable I/O in a large format for a wide range of digital signage and control-room application.

With eyevis' unique optical enhanced treatment, it not only provides clear viewability, but also ensures added durability and strength in almost every ambient light condition.

Thanks to the plain design the displays are the ideal surface for the presentation of your image content.

) ADVANTAGES OF THE EYE-LCD5500-W

) Superior Resolution & High Brightness

Full-HD 1080p (1920 x 1080) & 700 nits

) Ultra-Wide Viewing Angle

178 degree viewing angle horizontally & vertically

) IRFM™

Image Retention Free Modulator technology helps prevent image retention

) Prolonged Life

50,000 hours of viewing time to half of its original brightness

) Wide Compatibility

Extensively tested with a broad variety of analog/digital PC and video modes.

) Energy Saving Control

Active ambient light sensor that adjusts brightness automatically

) Landscape or Portrait Installation



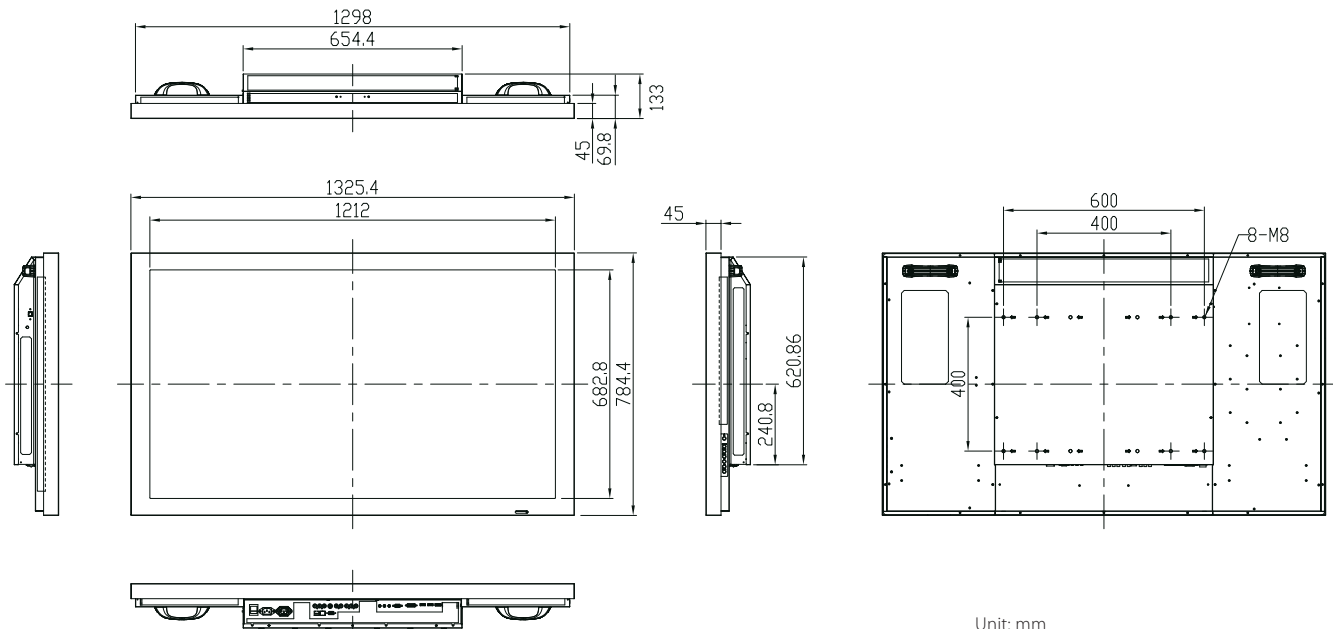
) Durable and Professional Design

All metal structure, Sleek & low-key look that makes the content stand out

) IPC Mounting Space on Back Panel

8.7 x 8.7 x 2.3 inch mounting space reserved for IPC / Player

) DIMENSIONS



Unit: mm

) EYE-LCD-5500

) TECHNICAL SPECIFICATIONS

) LCD Screen

Brightness	500 cd/m ²
Contrast Ratio	5000:1
Viewing Angle	H:178° / V:178°
Response Time	8 ms (GTG)
Supported Colors	1.07G colors
Display Resolution	1920 x 1080 (16:9)
Display Frame Rate	60Hz
24/7 Operation [®]	Yes (recommended operation: 20/7)

) Signal Compatibility / Connectivity

Horizontal / Vertical Frequency	23 ~ 92 KHz / 56 ~ 85 Hz (Analog) 23 ~ 92 KHz / 50 ~ 85 Hz (Digital)
Input Resolution	1920 x 1080 @ 60Hz (Analog) 1920 x 1080 @ 60Hz (Digital)
Connector	1x DisplayPort / 2x HDMI 1.3c / 1x VGA / 1x DVI / 1x Component / 1x S-Video / 1x AV
Audio Out	S-PDIF out
Communication Port	D-Sub 9 Pin In, RJ45 In/Out (RS232C In, RS-485 In/Out)

) Mechanical

Dimensions w/o Stand (WxHxD)	1325.4 x 784.4 x 133 mm / 52.18 x 30.88 x 5.24 inch
Weight	Netto: 45kg/ 99.21lb; Gross: 56kg / 123.46lb
Wall Mount	600mm x 400mm / 400mm x 400mm VESA
Fanless Design	Yes

) OSD Functions

OSD Control Function	RS232C, Push Button, IR Remote Controller
OSD Language Function	English, Chinese
OSD Key Lock	Yes
Multimedia Function	PIP, PBP (side by side), Zoom
Source Auto Detect Function	Yes

) Electrical

Power Supply	AC in: AC 100V ~ 240V (50/60 Hz)
Normal Operation	≤ ≤ 341 W (max.) Standby: ≤ 1 W

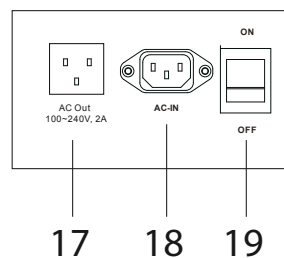
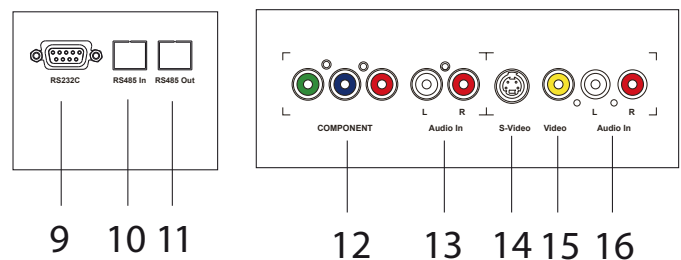
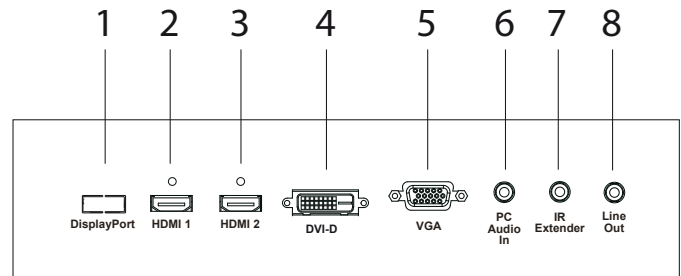
) Environmental

Operating Temperature	0 °C ~ 35 °C, 85% RH
Storage Temperature	-20 °C ~ 60 °C, 85% RH

) Options

Other	Metal Stands, Back Cover (I/O cover, R/L cover)
Protective Surface	Tempered Glass
Touch	Optical Touch
Frame Colour	Customised Finishing (RAL Colours)

) INPUTS & OUTPUTS



1. DisplayPort
2. HDMI 1
3. HDMI 2
4. DVI-D
5. VGA
6. PC Audio In
7. IR Extender
8. Line Out
9. RS232C
10. RS485 In
11. RS485 Out
12. Component
13. Audio In(Component)
14. S-Video
15. Video
16. Audio In(S-Video/Video)
17. AC Out
18. AC In
19. Power Switch

[®]Electronic components designed for 24/7 operation. Prolonged display of static image contents may affect the display quality of the device. These effects do not affect the functionality of the device and are therefore not considered as defects in terms of our warranty conditions.

For further resources and
documentation please visit us:
www.cinos.net