



Archived resources

For further resources and
documentation please visit us:
www.cinos.net

SM 26

SPEEDMOUNT TWO-WAY
SURFACE MOUNT SPEAKERS WITH
6.5" WOOFER

SPEED MOUNT



The Extron SM 26 is a two-way surface mount speaker that delivers a wide frequency range with optimum voice and music reproduction. This speaker is ideally suited for classrooms, conference rooms, exercise facilities, and retail spaces, and is designed for fast and easy installation with the Extron-exclusive patent pending, concealed mounting system.

- ▶ Patent pending, concealed mounting system
- ▶ Included 0° mounting plate and 10° mounting adapter provide flexible installation options
- ▶ Designed to accommodate division-of-labor installations
- ▶ 1" (2.5 cm) silk dome tweeter
- ▶ 6.5" (16.5 cm) long-throw woofer with dual tuned bass reflex ports
- ▶ **Two versions available:**
 - 8 ohm direct operation only
 - 8 ohm direct and 70/100 V operation
- ▶ Convenient 6 position, through-the-grille power tap selector on the SM 26T
- ▶ Optional yoke mount
- ▶ Frequency range: 70 Hz to 18 kHz
- ▶ 60 watts continuous pink noise, 120 watts continuous program
- ▶ Hidden locking speaker release mechanism
- ▶ Black or white high-impact enclosure
- ▶ 5 year parts and labor warranty



Extron Electronics
INTERFACING, SWITCHING AND CONTROL

DESCRIPTION

The Extron **SM 26** SpeedMount® Surface Mount Speaker is a two-way speaker with a patent pending, concealed wall mounting system. It features a 6.5" (16.5 cm) woofer with dual tuned ports and a 1" (2.5 cm) tweeter. The SM 26 provides a wide frequency range from 70 Hz to 18 kHz, and a power rating of 60 watts continuous pink noise, 120 watts continuous program capacity. The Extron-exclusive mounting system is designed to accommodate division-of-labor installations and save costs. The SM 26 is available as an 8 ohm model, and an SM 26T version that can operate in 8 ohm direct as well as 70 volt and 100 volt modes. The SM 26T features a 6 position power tap selector, which can conveniently be accessed through the grille from outside the speaker.

The innovative mounting system allows the SM 26 to slide onto the mount and lock into place. In the same installation step, the integrated electrical contacts on the speaker automatically mate with the pre-wired contacts on the mounting plate to speed up and simplify installation.

The SM 26 saves time and installation costs for AV system contractors working with low-voltage contractors in a division-of-labor installation. During rough-in, a low-voltage contractor installs the mounting system on the wall and terminates the speaker cable to the mount's integrated wiring contacts. Later, the AV system contractor completes the installation by sliding the SM 26 onto the mount.

KEY FEATURES

- ▶ **Patent pending, concealed mounting system** – One installation step connects the speaker to the wiring contacts, and secures it into place.
- ▶ **Includes 0° mounting plate and 10° mounting adapter** – Four position 10° mounting adapter attaches to 0° mounting plate, and provides flexibility for vertical or horizontal speaker installation with 10° of tilt downward, upward, left, or right.
- ▶ **Designed to accommodate division-of-labor installations and save costs**
- ▶ **1" (2.5 cm) silk dome tweeter**
- ▶ **6.5" (16.5 cm) long-throw woofer with dual tuned bass reflex ports**
- ▶ **Two versions available:**
 - 8 ohm direct operation only
 - 8 ohm direct and 70/100 volt operation
- ▶ **Convenient 6 position, through-the-grille power tap selector on the SM 26T:**
 - 8 ohm direct
 - 70 volt: 32, 16, 8, 4, and 2 watt selectable
 - 100 volt: 32, 16, 8, and 4 watt selectable
- ▶ **Optional yoke mount allows 180° of speaker pivot in 10° detented steps, part # 70-993-02 and 70-993-03**
- ▶ **Frequency range: 70 Hz to 18 kHz**
- ▶ **60 watts continuous pink noise, 120 watts continuous program**

KEY FEATURES (Cont.)

- ▶ **Internal driver overload protection**
- ▶ **Hidden locking speaker release mechanism**
- ▶ **Mounting plate provides cable raceway access for surface-mounted wiring applications**
- ▶ **Black or white high-impact enclosure**
- ▶ **5 year parts and labor warranty**

SPECIFICATIONS

AUDIO/ACOUSTIC AND ELECTRICAL		
Speaker type	2-way, full range, indoor surface mount speaker	
Frequency range	70 Hz to 18 kHz, -10 dB, full space	
Power capacity	60 W (rms) continuous pink noise (per IEC 60268-5) 120 W (rms) continuous program	
Nominal sensitivity	90 dB SPL, 1 W, 1 m, full space	
Nominal impedance	8 ohms	
Rotary switch taps (SM 26T only)	70 V: 32 W, 16 W, 8 W, 4 W, 2 W, 8 ohms direct 100 V: null, 32 W, 16 W, 8 W, 4 W, 8 ohms direct	
Woofer	(1) 6.5" (165 mm) polypropylene cone	
Tweeter	(1) 1.0" (25 mm) silk dome	
Overload protection	Full range power limiter protecting the tweeter, woofer, and crossover	
Input connectors		
Mounting plate	(1) 10 mm Euro-style captive screw terminal block, 4 pole	
GENERAL		
Package	2 speakers (1 pair) with mounting kit	
Mounting	Wall mountable with included mounting hardware or optional yoke mount	
0° mounting plate	Fixed 0°	
10° mounting adapter	Fixed 10° up, down, left, or right, based on adapter orientation	
Yoke mount (optional)	Up to 90° upward/downward or left/right in 10° steps based on orientation of yoke	
Enclosure type	Plastic, trapezoidal, with molded grille and bass reflex ports	
Enclosure outer dimensions		
Speaker only	12.98" H x 8.45" W x 6.45" D (32.97 cm H x 21.46 cm W x 16.38 cm D)	
With 0° mounting plate	12.98" H x 8.45" W x 6.96" D (32.97 cm H x 21.46 cm W x 17.68 cm D)	
With 0° mounting plate attached to 10° mounting adapter	Orientation: vertical, angled 101/4 down 13.26" H x 8.45" W x 8.84" D (33.67 cm H x 21.46 cm W x 22.44 cm D)	
Product weight		
SM 26		
Speaker only	7.5 lbs (3.40 kg) each	
With 0° mounting plate	8.4 lbs (3.81 kg) each	
SM 26T		
Speaker only	8.8 lbs (4.00 kg) each	
With 0° mounting plate	9.7 lbs (4.40 kg) each	
Regulatory compliance		
Safety	CE	
Environmental	Complies with the appropriate requirements of RoHS and WEEE.	
Warranty	5 years parts and labor	
Model	Version Description	Part number
SM 26	SpeedMount, 6.5" Woofer, Blk, Pair	60-1308-02
SM 26	SpeedMount, 6.5" Woofer, Wht, Pair	60-1308-03
SM 26T	SpeedMount, 6.5" Woofer, Xfmr, Blk, Pair	60-1308-12
SM 26T	SpeedMount, 6.5" Woofer, Xfmr, Wht, Pair	60-1308-13
Yoke Mount	Black	70-993-02
Yoke Mount	White	70-993-03

For complete specifications, please go to www.extron.com
Specifications are subject to change without notice.

SPEEDMOUNT SPEAKER INSTALLATION

SPEED MOUNT

The unique mounting system of the SM 26 SpeedMount speaker greatly simplifies installation of surface mount speakers, and saves considerable time and cost in labor. A mounting plate is installed at a designated wall location for an SM 26. Speaker cable is terminated to wiring contacts on the plate. All that is left is to slide the speaker onto the mount. In one sliding motion, the SpeedMount speaker is positioned into place and automatically mated with the mount's wiring contacts.

STEP 1

Pull speaker wire.



STEP 2

Attach plate to wall or stud, and connect speaker wire to contacts on plate. The SM 26 includes a 0° mounting plate and a 10° mounting adapter.



STEP 3

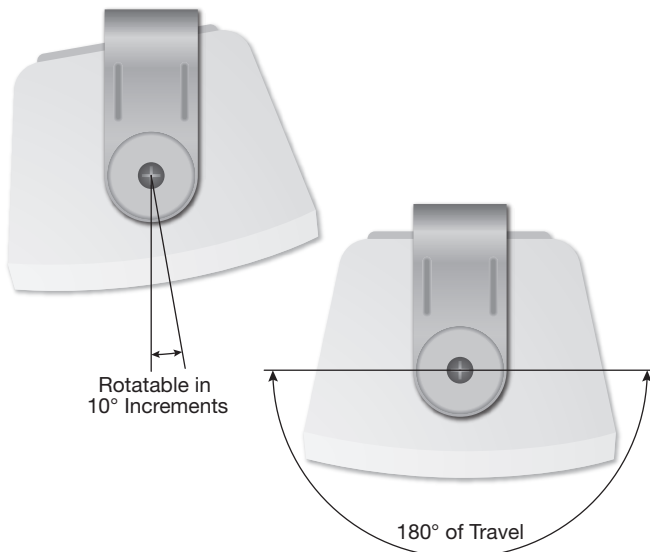
Simply slide speaker onto plate. Speaker may be locked into place with a unique key.



To see an animated demonstration of SpeedMount installation go to: www.extron.com/sm26install

Optional Yoke Mount Installation

A yoke mount is available as an optional accessory for the SM 26. It allows for vertical or horizontal speaker mounting on a wall, or on a ceiling, with 180° of pivot available in 10° detented steps. The detents allow a consistent pivot angle to be set for multiple speakers. Yoke mounts are available in black or white to match the SM 26 speaker.

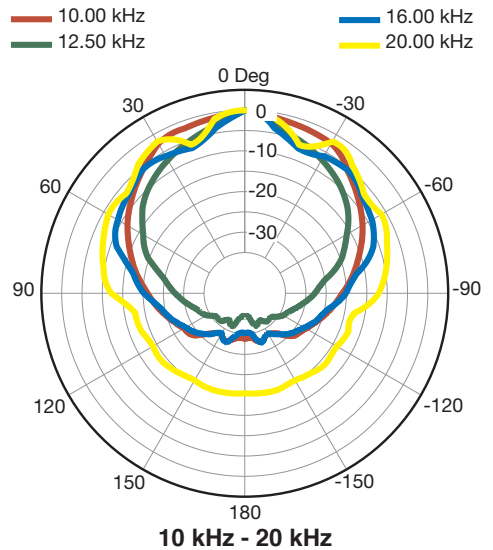
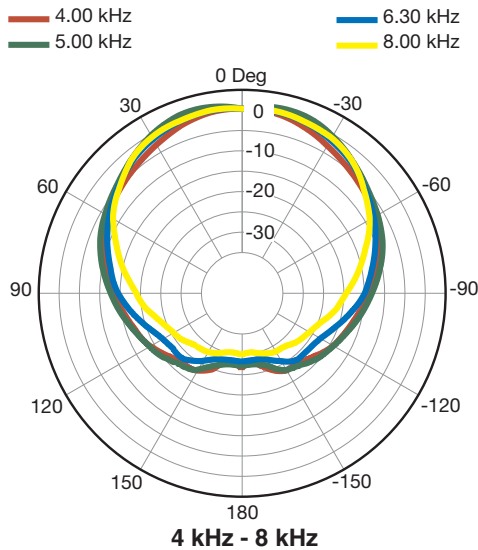
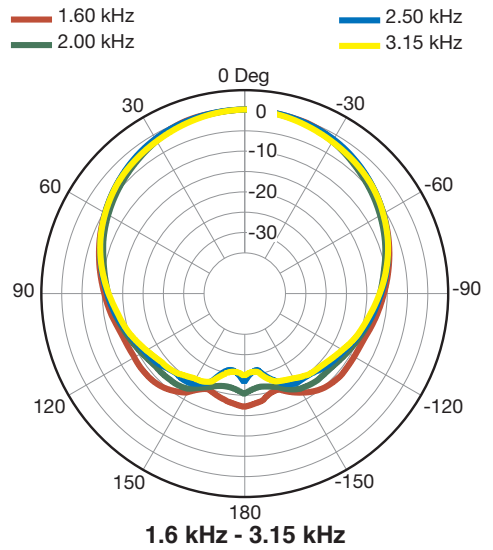
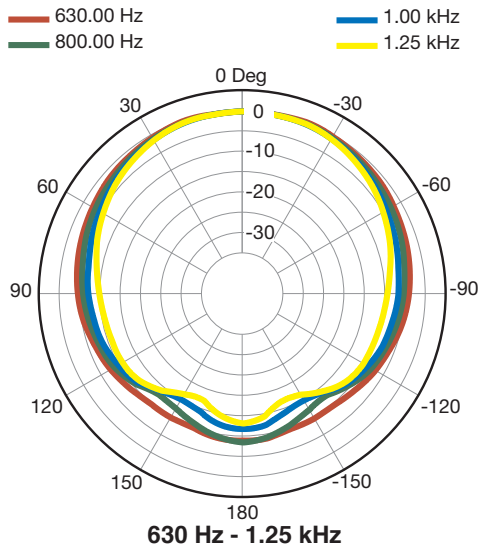
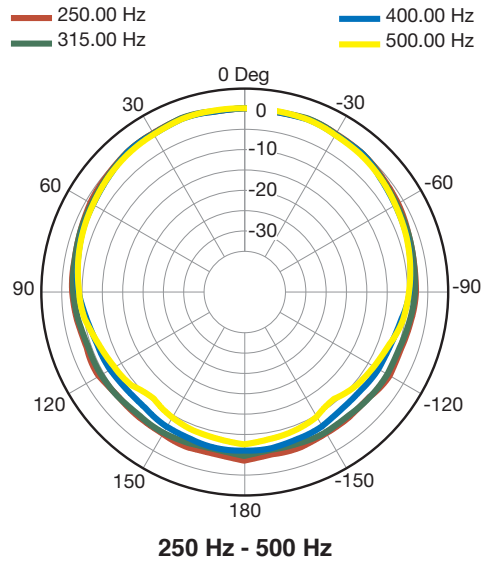
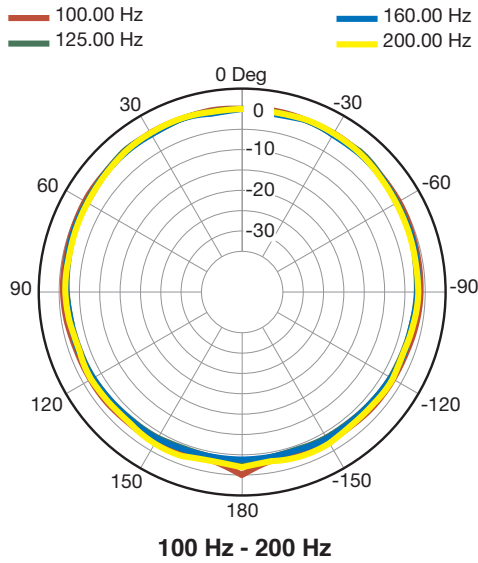


Fast and Easy Power Tap Selection

SM 26T models include a power tap selector that can be accessed right through the front grille from outside the speaker. This convenient feature further simplifies and speeds up installation, especially when setting up a large number of SM 26T speakers for 70 or 100 volt operation.

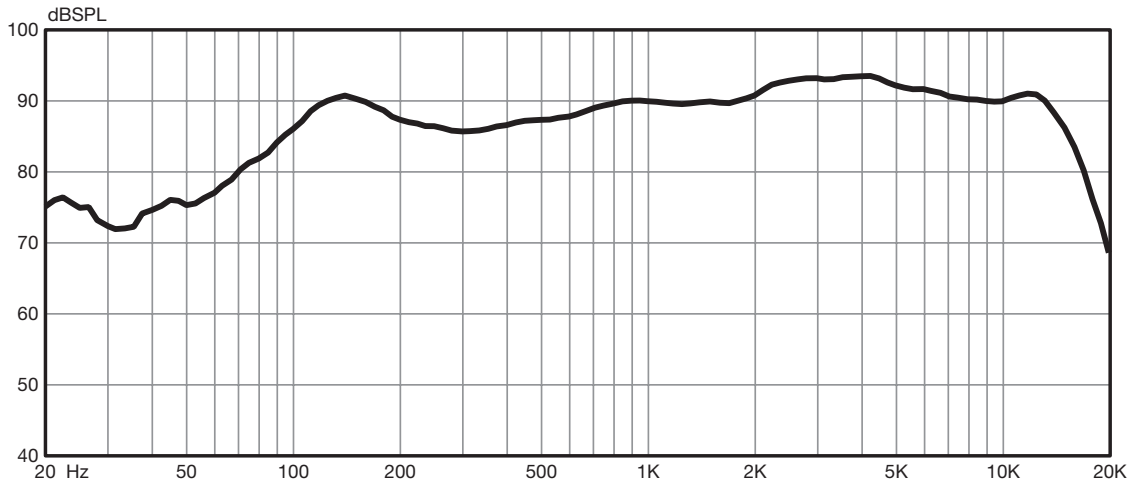


POLAR GRAPHS - 1/3 OCTAVE, HORIZONTAL

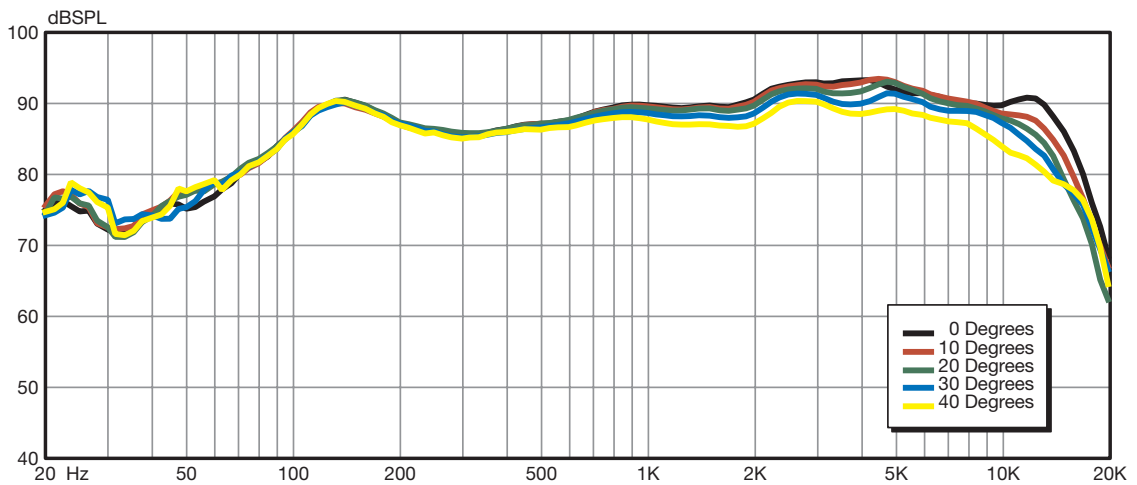


RESPONSE GRAPHS - FREQUENCY AND IMPEDANCE

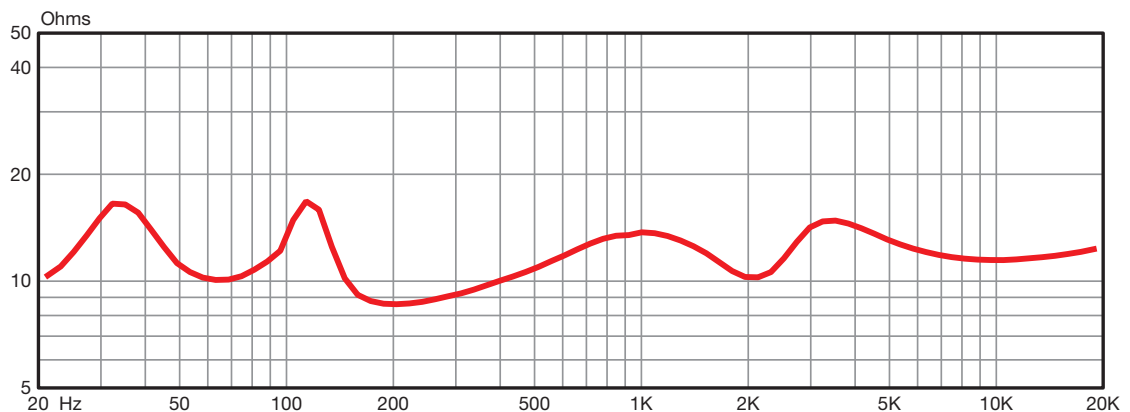
SPL VS. FREQUENCY – 1 WATT @ METER RESPONSE, FULL SPACE (4 π)



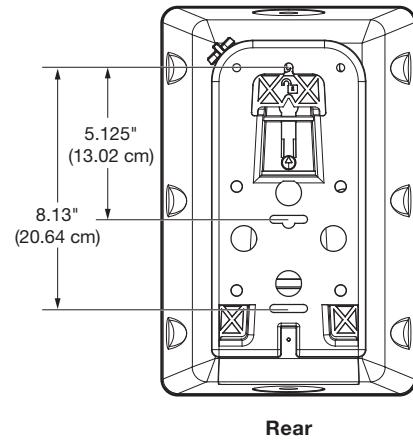
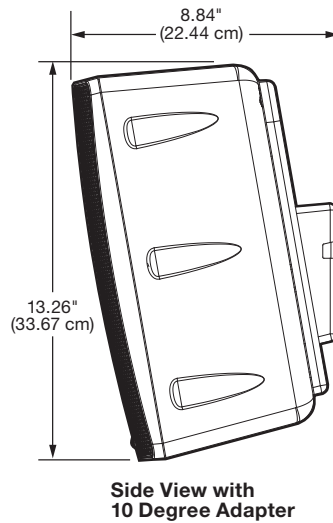
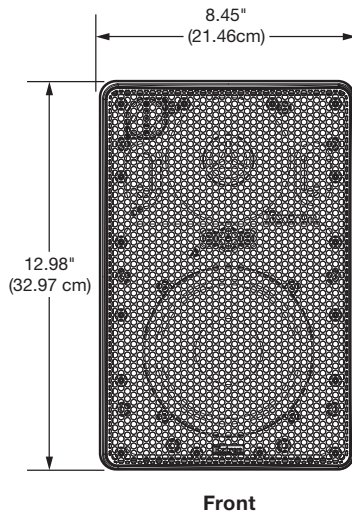
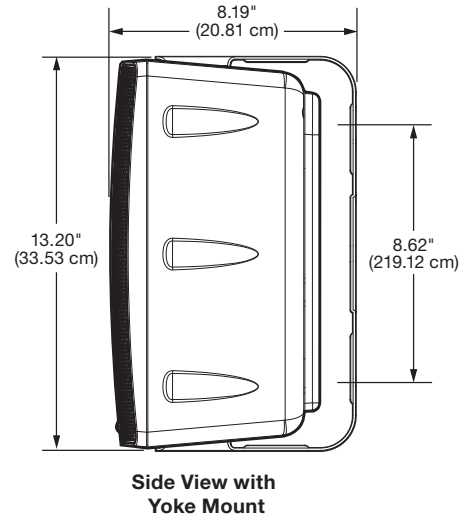
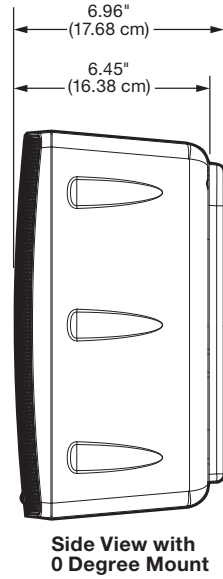
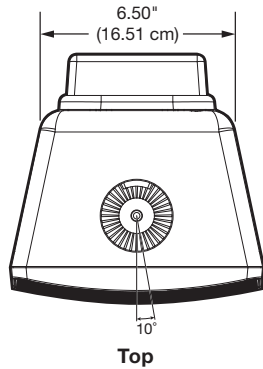
SPL VS. FREQUENCY – HORIZONTAL OFF-AXIS RESPONSE, FULL SPACE (4 π)



IMPEDANCE VS. FREQUENCY



PANEL DRAWINGS



Worldwide Sales Offices

Anaheim • Raleigh • Silicon Valley • Dallas • New York • Washington, DC • Toronto • Mexico City • Paris • London • Frankfurt
Amersfoort • Moscow • Dubai • Johannesburg • New Delhi • Bangalore • Singapore • Seoul • Shanghai • Beijing • Tokyo

UNITED STATES

+800.633.9876
Inside USA/Canada
+1.714.491.1500

EUROPE

+800.3987.6673
Inside Europe
+31.33.453.4040

ASIA

+800.7339.8766
Inside Asia
+65.6383.4400

MIDDLE EAST

+971.4.299.1800

For further resources and
documentation please visit us:
www.cinos.net